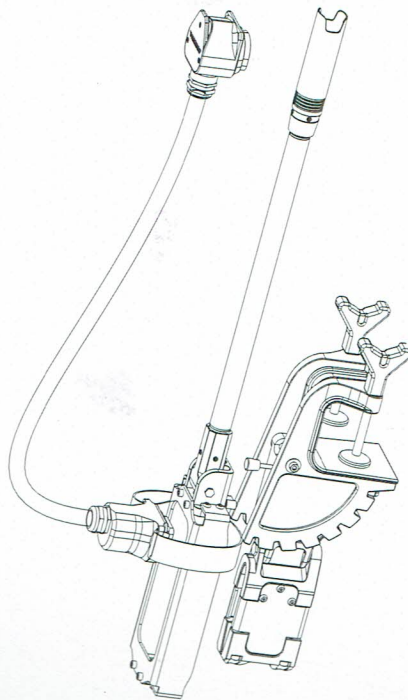


Outboard Accessory

Quick Start Guide



WAYDOO

WAYDOO

Waydo Technical Support

This guide may be updated without notice. Check the official Waydo website for the latest version.

www.waydotech.com

Contents

Disclaimer	2
Package Checklists	3
Components	4
Assembly Steps	5
Safety Guidelines	7

Disclaimer

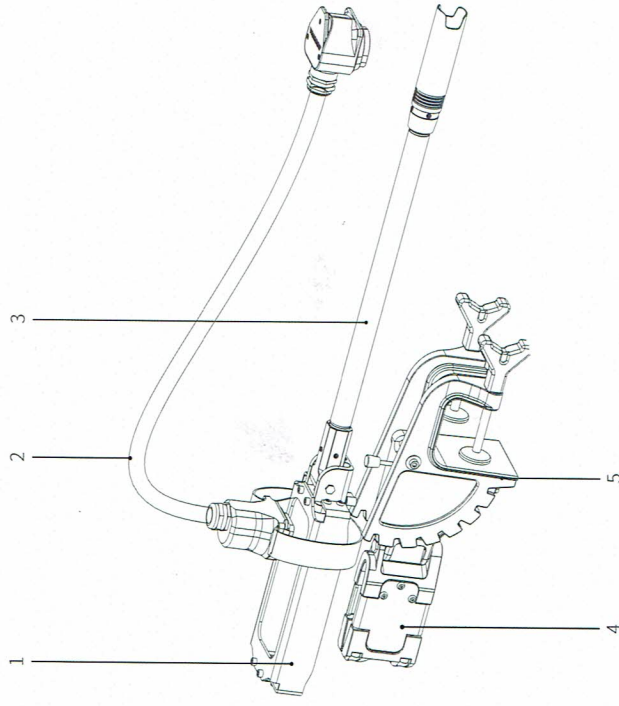
Please read this manual and related warnings carefully before use. This product concerns water sports equipment. Using this product has inherent risks that may cause serious injury or even death. Users who use this product must understand and accept the inherent risks of using this product. Misuse of this product may cause product damage or personal injury. As a continuous effort of product development, Waydoo reserves the right to change the components, specifications or other aspects of this product without prior notice. For more information, please visit: www.waydoootech.com.

WARNING

Minors under the age of 16 are not suggested to use this product. A safety summary as part of the operating safety knowledge is included. Please read the entire content of the disclaimer and safety operating instructions carefully. After reading the entire user manual, familiarize yourself with the functions of the product before proceeding. This product can cause serious injury to oneself or others, or cause product damage and property loss. This product can only be used safely with instructions clearly in mind, and it requires some basic common sense before operation. Do not use parts that are not provided or recommended by Waydoo, and strictly follow Waydoo's instructions to install and use the product. This guide contains instructions on safety, operation, and maintenance. Make sure to carefully read all instructions and warnings in the quick start guide before assembly, setup and use.

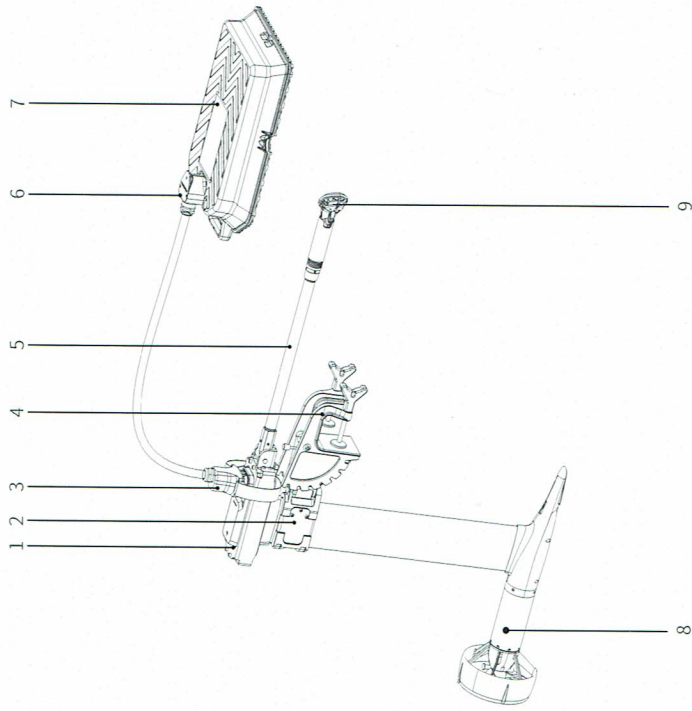
Outboard Accessory

Package Checklists



- 1. Power steering bracket
- 2. Power cable
- 3. Steering arm
- 4. Power mounting bracket
- 5. Hanging bracket

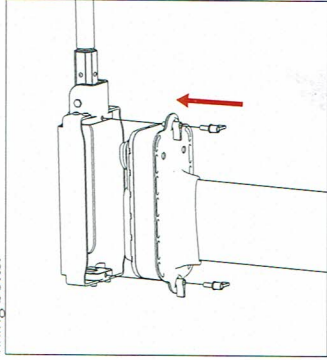
Components



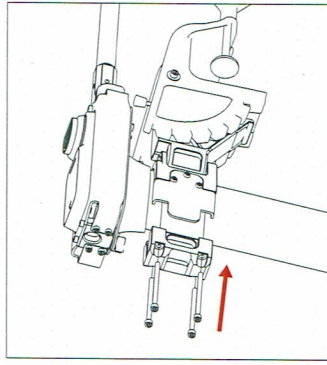
- 1. Power steering bracket
- 2. Power mounting bracket
- 3. Power plug
- 4. Hanging bracket
- 5. Steering arm
- 6. Battery plug
- 7. PowerFlight cell
- 8. Power system
- 9. Jet ONE controller

Assembly Steps

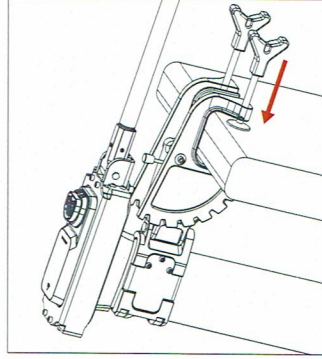
1. Mount the mast head into the power steering bracket and fasten it with 2 mast fixing bolts.



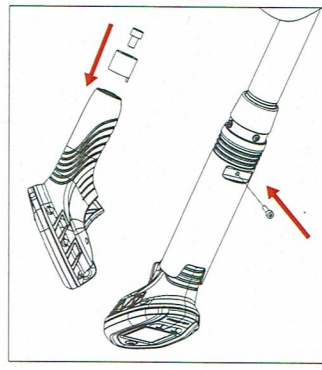
2. Use four provided M6*70 bolts to firmly fasten the mast to the mounting bracket.



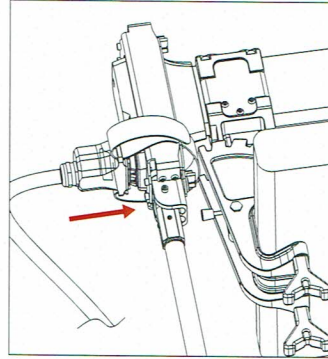
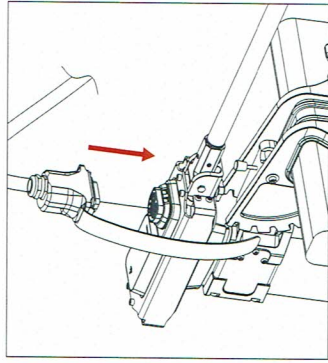
3. Fasten the hanging bracket to the hull.



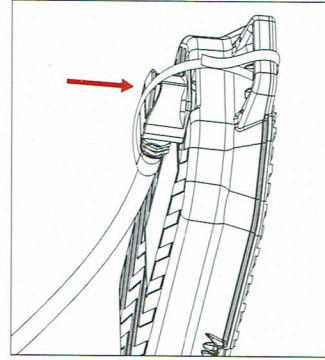
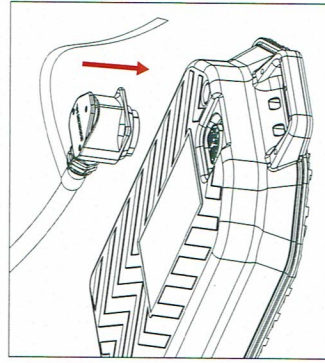
4. Install the adaptor to the controller with a short bolt. Then insert the assembly into the top opening of the steering arm and fasten it with another short bolt.



5. Use the plug strap to fasten the power plug to the power steering bracket.



6. Put the battery plug into the integrated port on the PowerFlight Cell and push it hard to make sure they're firmly connected. Cross the strap through the battery handle and fasten it tightly.



Safety Guidelines

1. Safety summary

1. Refer to the user manual and watch the official instructional video to learn how to use this product.
2. This product can only be used on water. Take safety measures when using this product and wear a life jacket and safety helmet.
3. Minors under the age of 16 are not suggested to use this product.
4. The use of this product requires a water depth of at least 1 meter. Be aware of gravel, plants, or wild animals in the water.
5. When using the product, pay attention to the surrounding environment, stay away from the shore, and keep a safe distance from ships and other people.
6. Do not use this product in waters with floating objects, obstacles, or many wild animals and plants.
7. Do not use this product in waters where there are swimmers or divers.
8. Do not use this product in bad weather. Pay attention to changes in weather when using this product.
9. Do not use damaged or malfunctioning products.
10. Do not attempt to fix or touch the propeller in the water.
11. Do not remove the battery when the product is in the water.
12. When the system is powered on, please keep the propeller away from your body, fingers and toes; any contact with the propeller may cause serious injury or even death.
13. Do not use this product when being drunk or unwell.
14. Do not use this product before fully understanding the operation steps and inherent risks of the product.
15. Do not allow others to use this product unless they fully understand how to use the product correctly.
16. Always use this product steadily and safely. Do not perform dangerous operations such as over-speeding or sharp turns.
17. To ensure safety, make sure to turn off the remote controller and battery when transporting this product.
18. For transport and storage of disassembled parts: separate the power assembly from the hull, and wash different parts with fresh water one by one until there is no sand or debris remaining, then wipe them with a dry towel before transport or storage.
19. Use this product on a boat whose length does not exceed 2.8 meters and load does not exceed 180 kilograms.

2. Know Before Use

Before using this product, check the product to ensure that the waterproof components (such as the Jet ONE Controller, the PowerFlight Cell, and the Power Assembly) are not damaged, the power system and control system work normally, the battery power is sufficient, and the bolts of each component have been tightened. Do not use damaged products.

1. Check whether the connection position of the Power Assembly and the hull is firm.
2. Make sure that the propeller are not damaged or cracked, and carefully remove any sand or debris residue.
3. Install the PowerFlight Cell in the designated location.
4. Make sure the PowerFlight Cell is installed firmly and lock is tightened in place.
5. Make sure the product is free of damage and is working properly before use.

3.Special Warning

To avoid possible injury and loss, the following must be observed.

1. Use original accessories or accessories certified by Waydoo. The use of non-original accessories may cause danger to the safe use of the power system
2. Make sure no foreign matter (such as water, oil, sand, or soil) has entered any of the components.

4.Restrictions and Local Regulations

It is prohibited to use this product in waters where there are swimmers or divers. It is forbidden to operate in restricted traffic areas. Make sure to strictly abide by the local laws and regulations.

